

Refrigeration monoblock unit

EUROMON range

- Complete "turnkey" monoblock unit designed for use in small cold rooms from 4 to 54 m³.
- Mounted across the cold room panel; extremely compact unit cooler for optimum use of space in the cold room.
- Fast, easy and safe installation.
- Products assembled, tested and factory-preset according to the application.



0.7  4.5 kW

EUROMON - Refrigeration monoblock unit

Market segments



FFS Cafés - Hotels - Restaurants - Corner shops - Mini-markets

Description

The genuine technical advantages offered by this new EUROMON monoblock generation earn it a place as leader in its market.

Fast installation

- The installation method for this unit is extremely simple. Simply slot the monoblock unit into the notches in the top panel of the cold room and secure it. Once in place, the unit is ready for use as soon as it is plugged into an electrical power point.
- Furthermore, the various control parameters are all factory-preset according to the application.

Total accessibility

- The front cover is designed in two parts rendering access to condensing unit components, in particular the compressor, condenser fans and re-evaporation heater, easier.
- The controller is equipped with a plug-in terminal rail for easy maintenance.

Energy saving

- The unit cooler electric defrost mode is approximately three times more economical than the hot gas defrost in terms of power consumption.
- Furthermore, it is independent of compressor operation which extends the operating life of this element.

Evaporation of condensation

- An electric immersion heater is used for this function which, contrary to the discharge gas solution, does not require the compressor and protects the piping against corrosion.
- Power consumption is minimized thanks to the self-adapting property of the heater.

Optimum use of room space

- The "ceiling unit" design form of the unit cooler not only guarantees better air distribution, but also provides more storage space for products in the cold room.

Designation

EUMOP⁽¹⁾ 21A⁽²⁾ D⁽³⁾

- (1) EUMOP = Chill range
EUMON = Low temperature range
- (2) Model
- (3) Electric defrost

Certifications



EUMOP

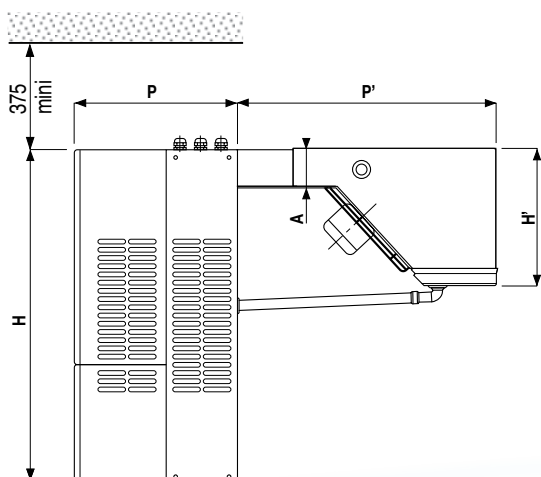
Chill range

		Room temperature +4 °C - Outside temperature +32 °C							
		EUMOP	3A	5A	7A	10A	13A	21A	25A
Capacity R404A (1)		kW	1,04	1,28	1,63	2,21	2,72	3,72	4,53
Input power (1)		kW	0,62	0,72	0,97	1,10	1,35	1,53	1,90
Compressor		CV	3/8	1/2	7/8	1	1 3/8	1,8	2,3
Room volume (indication)		m ³	4	7	11	17	23	29	46
Max. input current	230V/1/50Hz+T	A	5,2	5,8	6,1	7,8	9,7	-	-
	400V/3+N/50Hz	A	-	-	-	-	-	5,9	7,1
Unit cooler air flow		m ³ /h	600	600	600	1160	1160	1700	2260

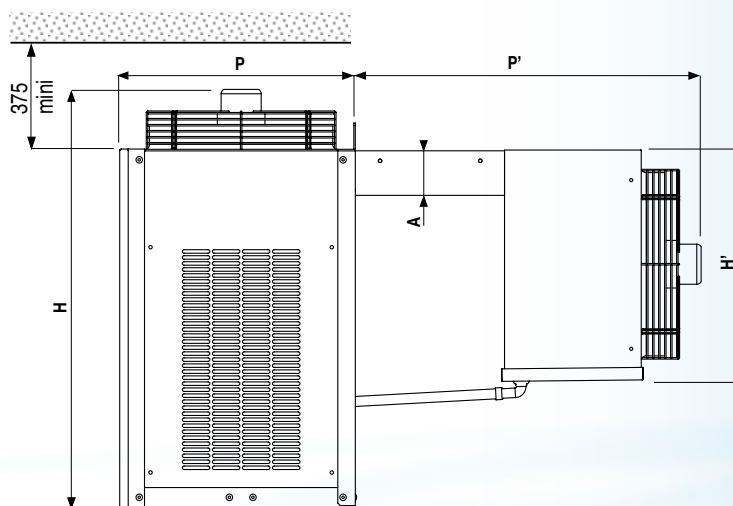
		Room temperature 0 °C - Outside temperature +32 °C - D = Electric defrost							
		EUMOP	3AD	5AD	7AD	10AD	13AD	21AD	25AD
Capacity R404A (1)		kW	0,93	1,17	1,47	1,98	2,44	3,30	4,03
Input power (1)		kW	0,59	0,69	0,92	1,05	1,28	1,42	1,79
Compressor		CV	3/8	1/2	7/8	1	1 3/8	1,8	2,3
Room volume (indication)		m ³	3	5	8	12	17	20	26
Max. input current	230V/1/50Hz+T	A	5,2	5,8	6,1	7,8	9,7	-	-
	400V/3+N/50Hz	A	-	-	-	-	-	5,9	7,1
Unit cooler air flow		m ³ /h	600	600	600	1160	1160	1700	2260

		EUMOP	3A/AD	5A/AD	7A/AD	10A/AD	13A/AD	21A/AD	25A/AD
Dimensions	H	mm	649	649	649	649	649	836	836
	H'	mm	278	278	278	278	278	462	462
	P	mm	320	320	320	320	320	472	472
	P'	mm	506	506	506	506	506	691	691
	L	mm	399	399	399	689	689	575	841
	A	mm	90	90	90	90	90	89	89
	B	mm	38	38	38	38	38	81	81
	C	mm	319	319	319	609	609	414	680
Net weight		kg	46	48	52	65	71	85	100

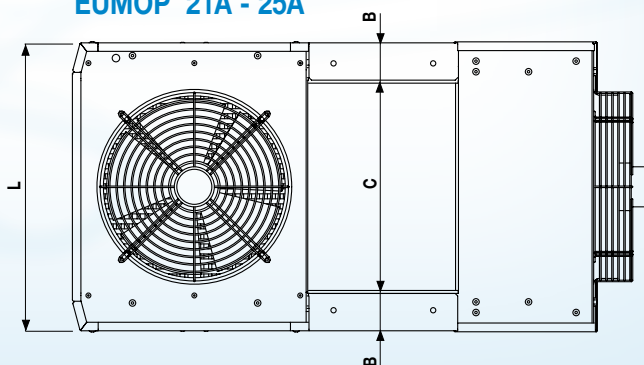
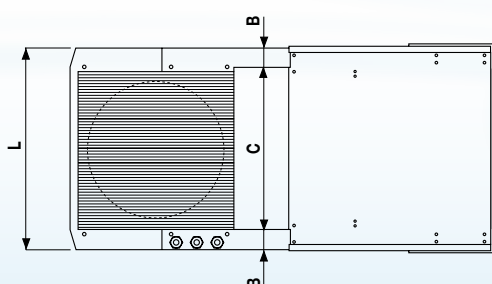
(1) Cooling capacity with : 10K superheat - 3K subcooling



EUMOP 3A - 5A - 7A - 10A - 13A



EUMOP 21A - 25A



EUROMON

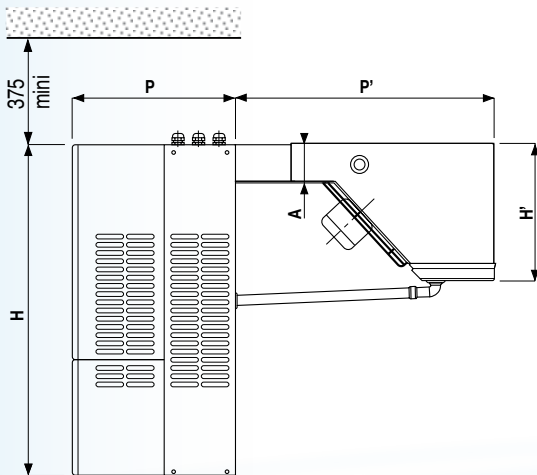
Low temperature range

Room temperature -20 °C - Outside temperature +32 °C						
	EUMON	8A	14A	20A	26A	36A
Capacity R404A (1)	kW	0,80	1,11	1,46	1,90	2,78
Input power (1)	kW	0,75	0,91	1,19	1,46	2,47
Compressor	CV	3/4	1 1/2	2	2,3	3,3
Room volume (indication)	m ³	5	9	15	27	54
Max. input current	230V/1/50Hz+T	A	5,2	7,2	9,0	-
	400V/3+N/50Hz	A	-	-	-	8,3
Unit cooler air flow	m ³ /h	600	1160	1160	1750	2240

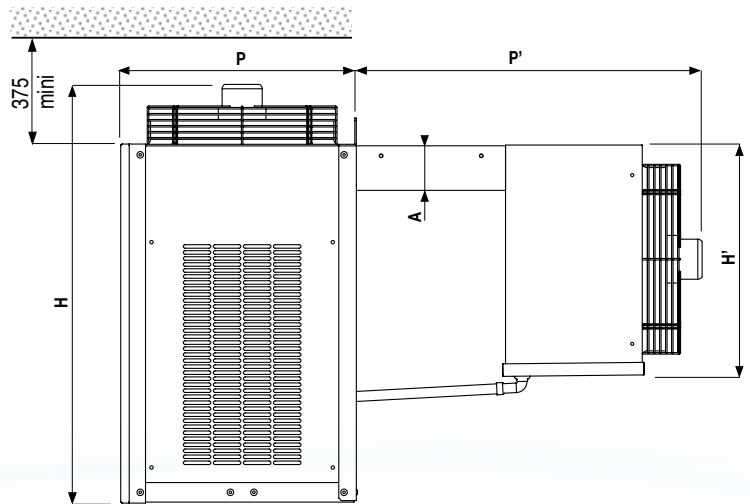
Room temperature -25 °C - Outside temperature +32 °C						
	EUMON	8A	14A	20A	26A	36A
Capacity R404A (1)	kW	0,68	0,92	1,23	1,59	2,36
Input power (1)	kW	0,69	0,83	1,09	1,30	2,23
Compressor	CV	3/4	1 1/2	2	2,3	3,3
Room volume (indication)	m ³	4	7	8,5	15	30
Max. input current	230V/1/50Hz+T	A	5,2	7,2	9,0	-
	400V/3+N/50Hz	A	-	-	-	8,3
Unit cooler air flow	m ³ /h	600	1160	1160	1750	2240

	EUMON	8A	14A	20A	26A	36A
Dimensions	H	mm	649	649	649	836
	H'	mm	278	278	278	462
	P	mm	320	320	320	472
	P'	mm	506	506	506	691
	L	mm	399	689	689	575
	A	mm	90	90	90	89
	B	mm	38	38	38	81
	C	mm	319	609	609	414
Net weight	kg	57	71	80	85	110

(1) Cooling capacity with : 10K superheat - 3K subcooling



EUMON 8A - 14A - 20A



EUMON 26A - 36A

