

# Dual-discharge unit cooler



## Direct expansion industrial range GTI / GTA Glycol water industrial range GTI-W / GTA-W

- The GTI and GTA ranges meet the workplace comfort requirements for laboratories, meat cutting rooms, air locks, etc...
- Exceptionally low noise levels with the 8P (GTI) and EC motor (GTA) models.
- The low air flow speed guarantees comfort as well as accurate control of both temperature and hygrometry for the 8P models.
- The 2-speed electric fans guarantee appropriate noise levels and ventilation (GTA).

GTI / GTI-W



GTA / GTA-W



Energy efficiency  
Reduced sound  
Natural fluids: Glycol water

12.5  125 kW

# GTI (-W) / GTA (-W) - Dual-discharge industrial unit cooler

## Market segments



**FSM** Hard Discount - Supermarkets - Hypermarkets

**FCS** Refrigerated storage and transit stocking - Dispatch centres - Food processing - Canteen kitchens

## Description

### Casing

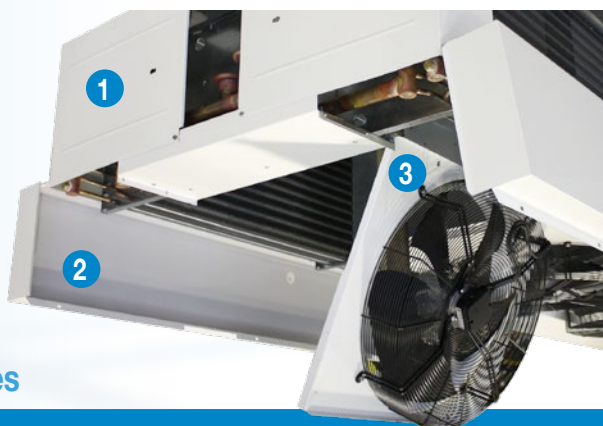
- The GTI (-W) and GTA (-W) casing is made of white pre-painted galvanized steel.
- On the GTA (-W), each removable drain pan (in 1 or 2 sections depending on the models) are fixed or hinged (**BCS** option). The condensate is evacuated via 2 large dimension drain pipes.
- GTI (-W) and GTA (-W) models are foreseen with end covers.
- GTI (-W) and GTA (-W) are delivered on a wooden base.
- GTA (-W) are delivered in their mounting position and designed for installation flush to the ceiling.

### Ventilation

- The GTI (-W) unit cooler range is equipped with fans Ø 450 mm, 230-400 V/3/50 Hz: **4P** = 1,500 rpm - **6P** = 1,000 rpm - **8P** = 750 rpm
- The GTA (-W) unit cooler range is equipped with fans Ø 630 mm, 400 V/3/50 Hz, IP 54, class F, with incorporated thermal overload protection, 2 speeds depending on models: **4P** = 1330 rpm - **6/8P** = 890 / 690 rpm.
- Fan guards are compliant with safety standards.

### Coil

- The **GTA** range is equipped with two new coil configurations optimized for direct expansion and glycol water applications.
- The highly-efficient and compact standard finned coils of the GTI (-W) and GTA (-W) range are composed of aluminium fins with a spacing of 4.23 or 6.35 mm.



## Advantages

### Installation

The GTA (-W) are equipped with easily removable doors **1** thus providing easy access to electrical and coolant connections.

The GTA are supplied in assembly position.

Possibility of supplying a connection kit (option **EGK**) for the glycol water model to render installation easier.

### Servicing / Maintenance

For all work on the GTA (-W), access to the drain pans does not require removal of the recovery vessel **2** and the fan units are mounted on an articulated panel **3** rendering maintenance work easier.

## Designation

**GTI**<sup>(1)</sup> **-W**<sup>(2)</sup> **34**<sup>(3)</sup> **4**<sup>(4)</sup> **4P**<sup>(5)</sup>  
**GTA**<sup>(1)</sup> **-W**<sup>(2)</sup> **36**<sup>(3)</sup> **R**<sup>(4)</sup> **6**<sup>(5)</sup> **D**<sup>(6)</sup>

- (1) **GTI / GTA**: Direct expansion unit cooler  
 (2) **W**: Glycol water unit cooler  
 (3) Model  
 (4) Fin spacing: **4** = 4.23 mm - **7** = 6,35 mm  
 (5) Fin spacing: **R** = 4.23 mm - **L** = 6,35 mm  
 (6) **4P** = 1,500 rpm - **6P** = 1,000 rpm - **8P** = 750 rpm  
**4D** = Delta connection - 1,330 rpm  
**6D** = Delta connection - 890 rpm  
**6Y** = Star connection - 690 rpm

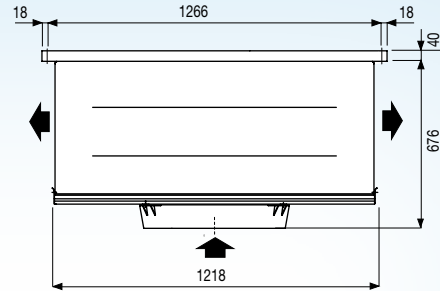
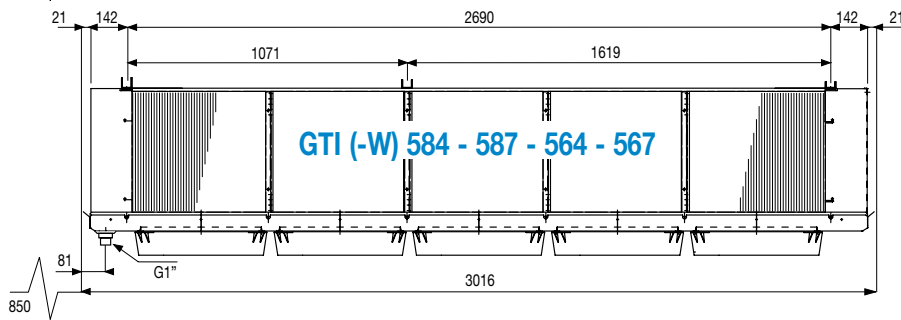
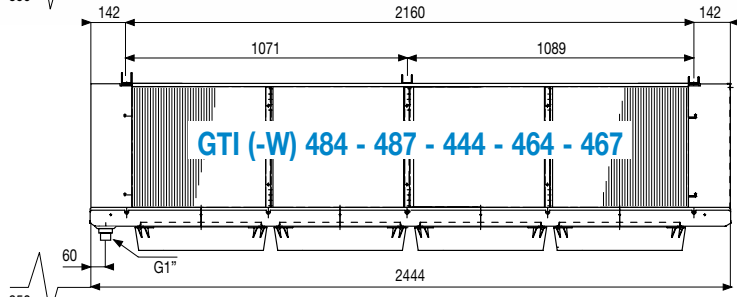
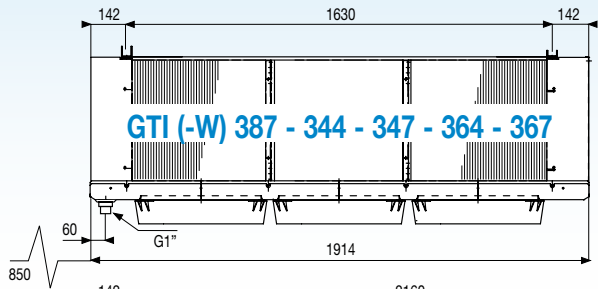
## Certifications



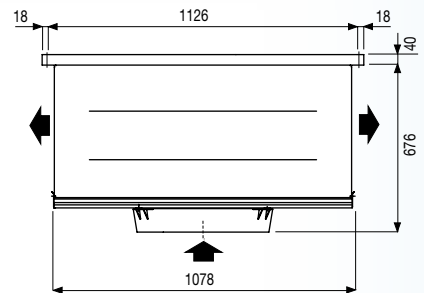
Kit	Factory	Options
	<b>M60</b>	<b>Ventilation - GTI / GTI-W</b> Fans 230-400V/3/50-60Hz (adapted fan blades).
	<b>EC1</b>	<b>Ventilation - GTA / GTA-W</b> EC motors 400V/3/60Hz.
	<b>EC2</b>	EC motors 230V/1/60Hz.
	<b>C3V</b>	3-speed selector switch (motors EC1 and EC2).
	<b>CMU</b>	Motors factory wired.
	<b>M60</b>	Fans 400V/3/50-60Hz (adapted fan blades).
		<b>Coil</b>
	<b>BAE</b>	Protection of fins.
	<b>BHE</b>	Heresite coil protection.
	<b>BXT</b>	Blygold Polual XT coil protection.
	<b>WCO</b>	Glycol water, coolant (please contact us for details).
<b>EGK</b>		Glycol water and coolant extension.
		<b>Defrost - GTI / GTI-W</b>
<b>E1K</b>	<b>E1U</b>	Light electric defrost.
	<b>HGB</b>	Hot gas defrost (coil only).
		<b>Defrost - GTA / GTA-W</b>
	<b>E1U</b>	Light electric defrost.
	<b>ELU</b>	Electric defrost (coil + drain pan).
	<b>HG1</b>	Defrost with hot gas (coil: hot gas, drain pan: heating elements).
<b>EEK</b>		Drain pan electric defrost.
<b>ECK</b>	<b>ECU</b>	Additional coil electric defrost.
		<b>Miscellaneous</b>
	<b>BCS</b>	Hinged condensate tray ( <b>GTA / GTA-W</b> ).
	<b>CIN</b>	Stainless steel frame ( <b>GTA / GTA-W</b> ).
	<b>ECB</b>	Full crate packaging ( <b>GTA / GTA-W</b> ).
	<b>EIS</b>	Insulated drain pan.
		<b>Other options</b> Please contact us for details.

# GTI (-W) / GTA (-W) - Dual-discharge industrial unit cooler

## GTI / GTI-W

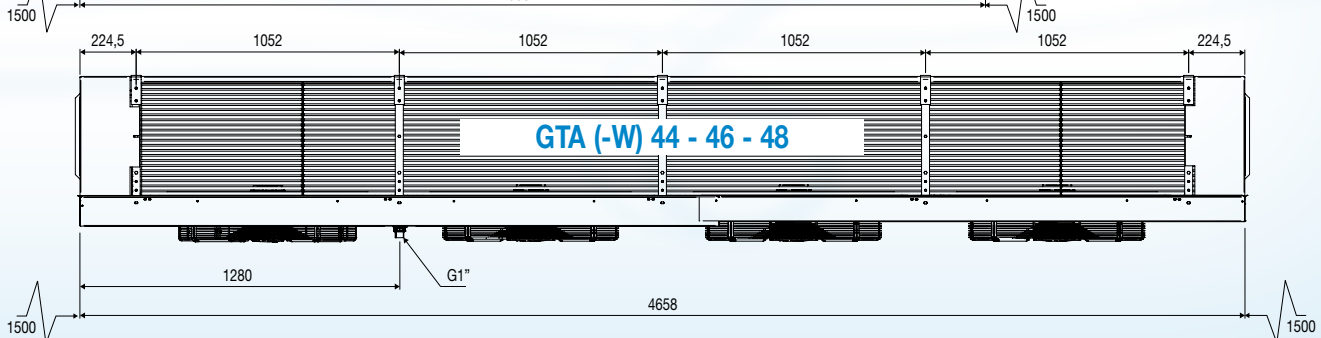
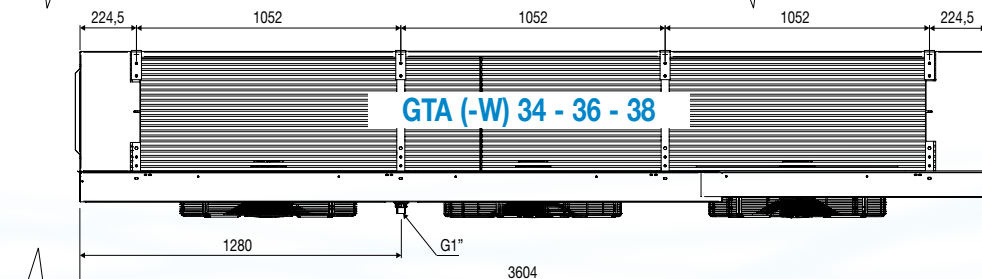
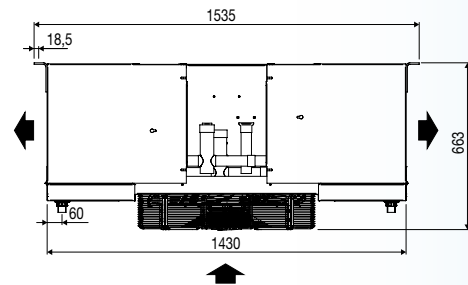
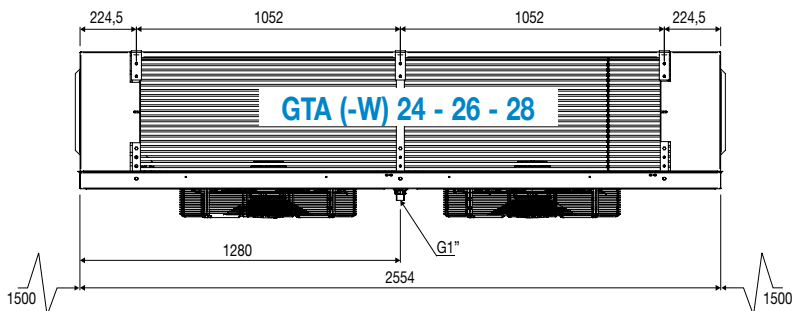


GTI (-W)  
387  
484 - 487  
584 - 587



GTI (-W)  
344 - 347  
364 - 367  
444 - 464 - 467  
564 - 567

## GTA / GTA-W



## GTI (-W) ... 4/6/8P - 1,500/1,000/750 rpm.

4,23 mm

Direct expansion		GTI ... 4/6/8P	344	364	444	464	484	564	584	
Capacity R404A (1)	DT1 = 10 K - SC1	4P	kW	33,7	42,5	45,2	57,7	66,3	68,8	73,2
		6P	kW	27,8	34,5	37,6	46,1	51,8	55,8	60,2
		8P	kW	23,5	28,0	32,1	37,5	40,8	45,6	49,7
	DT1 = 8 K - SC2	4P	kW	20,4	25,6	27,9	34,8	36,1	42,0	47,3
		6P	kW	16,4	19,8	22,2	26,8	27,8	32,7	35,9
		8P	kW	13,3	15,5	17,9	20,8	21,4	25,7	27,6

Glycol water		GTI-W ... 4/6/8P	344	364	444	464	484	564	584	
Capacity W*	DT1 = 8 K	4P	kW	19,5	26,0	24,0	32,4	45,0	40,5	48,5
		6P	kW	16,5	21,6	20,7	28,9	33,5	33,9	39,6
		8P	kW	14,9	18,8	19,0	24,0	28,0	31,3	34,1

GTI (-W) ... 4/6/8P		344	364	444	464	484	564	584		
Surface		m <sup>2</sup>	98,3	147,5	131,1	196,7	262,3	245,9	327,8	
Circuit volume		dm <sup>3</sup>	19,1	28,6	25,5	38,2	50,9	47,7	63,6	
Fan **	Air flow	4P	m <sup>3</sup> /h	13950	13350	18600	17800	17000	22250	21250
		6P	m <sup>3</sup> /h	9360	8960	12480	11950	11410	14930	14260
		8P	m <sup>3</sup> /h	6670	6390	8900	8500	8130	10650	10170
	Air throw (2)	4P	m	2 x 7	2 x 7	2 x 7	2 x 7	2 x 7	2 x 7	2 x 7
		6P	m	2 x 5	2 x 5	2 x 5	2 x 5	2 x 5	2 x 5	2 x 5
		8P	m	2 x 4	2 x 4	2 x 4	2 x 4	2 x 4	2 x 4	2 x 4
Ø 450 mm		Nb	3	3	4	4	4	5	5	
Acoustic	Lp 4m (3)	4P	dB(A)	50	50	51	51	51	52	52
		6P	dB(A)	40	40	41	41	41	42	42
		8P	dB(A)	33	33	34	34	34	35	35
Electric defrost E1U	400 V/3/50 Hz	Ω	Nb	6	6	6	6	6	6	6
		W Total		6000	6000	9240	9240	9240	12000	12000
		A Total		9	9	14	14	14	18	18
Connections R404A	Inlet	Ø (5)	7/8"	1"1/8	1"1/8	1"1/8	1"1/8	1"1/8	1"3/8	
	Outlet	Ø (6)	1"5/8	1"5/8	2"1/8	2"1/8	2"1/8	2"5/8	2"5/8	
Net weight		kg	181	215	228	264	307	326	379	

\*\* Ø 450 mm - 230-400 V/3/50 Hz. 4P : 360 W max - 1 A max (4). 6P : 115 W max - 0,5 A max (4). 8P : 72 W max - 0,42 A max (4).

(1) See page 10.

(2) Residual air speed: 0.25 m/s, in compliance with standard.

(3) Average sound pressure level in dB(A) measured at 4 m, at fan height, in direct line of sight on a reflective surface, given for information only.

(4) Setting of overload protection levels.

(5) Distributor: Male to be brazed.

(6) ODF = Female to receive a tube of the same diameter.

\* Glycol water - Capacity indicated for information only under the following conditions:



**Fluid:** Percentage of glycol = 30 %  
Fluid inlet temperature = - 8°C  
Fluid outlet temperature = - 4°C.

**Air:** Inlet dry temperature = + 2°C  
Relative humidity = 85 %  
Limitation of head loss at 10 m WC maximum.

**Other conditions:**  
Possible optimization of exchanger circuiting according to the operating level.  
System head loss taken into account, percentage of glycol,... (please contact us for details).

**Connection kit available:**

- 1 kit for horizontal connection (please consult us).
- 4 connection kits (please consult us).
  - steel weld-on sleeve
  - steel screw-on sleeve
  - steel weld-on sleeve
  - steel screw-on sleeve

M60	BAE	BXT	WCO	E1K	E1U	HGB	EGK	EIS
0		0		0	0	0	0	0



## GTI (-W) ... 4/6/8P - 1,500/1,000/750 rpm.

6,35 mm

Direct expansion		GTI ... 4/6/8P	347	367	387	467	487	567	587	
Capacity R404A (1)	DT1 = 10 K - SC1	4P	kW	28,3	37,7	46,7	53,0	62,8	65,2	73,6
		6P	kW	24,5	30,1	36,3	42,2	48,7	52,3	57,1
		8P	kW	21,1	26,1	29,3	34,9	39,3	45,3	48,8
	DT1 = 8 K - SC2	4P	kW	16,8	21,9	24,6	27,9	32,8	36,3	42,6
		6P	kW	13,6	17,3	19,1	22,4	25,7	28,7	32,7
		8P	kW	11,2	13,8	15,1	18,1	20,2	23,0	25,6

Glycol water		GTI-W ... 4/6/8P	347	367	387	467	487	567	587	
Capacity W*	DT1 = 8 K	4P	kW	17,4	23,6	30,3	35,4	38,3	36,9	45,1
		6P	kW	15,8	21,2	24,2	26,2	31,1	31,0	38,9
		8P	kW	13,0	17,1	20,5	21,9	26,2	27,3	31,8

GTI (-W) ... 4/6/8P		347	367	387	467	487	567	587		
Surface		m <sup>2</sup>	67,6	101,5	135,3	135,3	180,4	169,1	225,5	
Circuit volume		dm <sup>3</sup>	19,1	28,6	38,2	38,2	50,9	47,7	63,6	
Fan **	Air flow	4P	m <sup>3</sup> /h	14160	13680	13260	18240	17680	22800	22100
		6P	m <sup>3</sup> /h	9500	9180	8900	12240	11860	15300	14830
		8P	m <sup>3</sup> /h	6770	6540	6340	8730	8460	10910	10570
	Air throw (2)	4P	m	2 x 7	2 x 7	2 x 7	2 x 7	2 x 7	2 x 7	2 x 7
		6P	m	2 x 5	2 x 5	2 x 5	2 x 5	2 x 5	2 x 5	2 x 5
		8P	m	2 x 4	2 x 4	2 x 4	2 x 4	2 x 4	2 x 4	2 x 4
Ø 450 mm		Nb	3	3	3	4	4	5	5	
Acoustic	Lp 4m (3)	4P	dB(A)	50	50	50	51	51	52	52
		6P	dB(A)	40	40	40	41	41	42	42
		8P	dB(A)	33	33	33	34	34	35	35
Electric defrost E1U	400 V/3/50 Hz	Ω	Nb	6	6	6	6	6	6	6
		W Total		6000	6000	6000	9240	9240	12000	12000
		A Total		9	9	9	14	14	18	18
Connections R404A	Inlet	Ø (5)	7/8"	1"1/8	1"1/8	1"1/8	1"1/8	1"1/8	1"3/8	
	Outlet	Ø (6)	1"5/8	1"5/8	1"5/8	2"1/8	2"1/8	2"1/8	2"5/8	
Net weight		kg	171	198	217	241	280	298	347	

\*\* Ø 450 mm - 230-400 V/3/50 Hz. 4P : 360 W max - 1 A max (4). 6P : 115 W max - 0,5 A max (4). 8P : 72 W max - 0,42 A max (4).

(1) See page 10.

(2) Residual air speed: 0.25 m/s, in compliance with standard.

(3) Average sound pressure level in dB(A) measured at 4 m, at fan height, in direct line of sight on a reflective surface, given for information only.

(4) Setting of overload protection levels.

(5) Distributor: Male to be brazed.

(6) ODF = Female to receive a tube of the same diameter.

\* Glycol water - Capacity indicated for information only under the following conditions:

**Fluid:** Percentage of glycol = 30 %  
Fluid inlet temperature = - 8°C  
Fluid outlet temperature = - 4°C.

**Air:** Inlet dry temperature = + 2°C  
Relative humidity = 85 %  
Limitation of head loss at 10 m WC maximum.

**Other conditions:**  
Possible optimization of exchanger circuiting according to the operating level.  
System head loss taken into account, percentage of glycol,... (please contact us for details).

**Connection kit available:**

- 1 kit for horizontal connection (please consult us).
- 4 connection kits (please consult us).
  - steel weld-on sleeve
  - steel screw-on sleeve
  - steel weld-on sleeve
  - steel screw-on sleeve

M60	BAE	BXT	WCO	E1K	E1U	HGB	EGK	EIS
0		0		0	0	0	0	0

## GTA ... R 4D - 1330 rpm.

4,23 mm

Direct expansion		GTA ... R 4D	24	26	28	34	36	38	44	46	48
Capacity R404A (1)	DT1 = 8 K - SC2	kW	30,8	39,1	40,6	45,3	57,8	61,3	62,1	78,7	82,3
Surface		m <sup>2</sup>	130	195	260	195	292	390	260	390	520
Circuit volume		dm <sup>3</sup>	25,2	37,8	50,4	37,8	56,7	75,7	50,4	75,7	100,9
Air flow		m <sup>3</sup> /h	22680	21660	20750	34020	32480	31130	45360	43310	41500

Glycol water		GTA-W5 ... R 4D	24	26	28	34	36	38	44	46	48
Capacity W*	DT1 = 8 K	kW	22,5	39,4	-	49,1	41,3	-	62,4	77,9	-
Surface		m <sup>2</sup>	164	246	-	246	369	-	328	492	-
Circuit volume		dm <sup>3</sup>	32,1	48,2	-	48,2	72,2	-	64,2	96,3	-
Air flow		m <sup>3</sup> /h	22470	21400	-	33700	32100	-	44930	42800	-

		GTA (-W) ... R 4D	24	26	28	34	36	38	44	46	48
Fan *	Air throw (2)	m	2x17	2x15	2x14	2x17	2x15	2x14	2x17	2x15	2x14
	Ø 630 mm	Nb	2	2	2	3	3	3	4	4	4
Acoustic	Lp 4m (3)	dB(A)	57	57	57	59	59	59	60	60	60
	Lw	dB(A)	87	87	87	89	89	89	90	90	90
Electric defrost E1U (4)	Ω	Nb	12	12	12	12	12	12	12	12	12
	400 V/3/50 Hz	W Total	9000	9000	9000	13800	13800	13800	18000	18000	18000
		A Total	13	13	13	20	20	20	26	26	26
Electric defrost ELU+EEK (4)	Ω	Nb	12+6	12+6	12+6	12+6	12+6	12+6	12+6	12+6	12+6
	400 V/3/50 Hz	W Total	13500	13500	13500	20700	20700	20700	27000	27000	27000
		A Total	19,5	19,5	19,5	30	30	30	39	39	39
ECK kit or EEK kit	Ω	Nb	6	6	6	6	6	6	6	6	6
	400 V/3/50 Hz	W Total	4500	4500	4500	6900	6900	6900	9000	9000	9000
		A Total	6,5	6,5	6,5	10	10	10	13	13	13
	Nb max. kit	ECK	1	1	2	1	1	2	1	1	2
		EEK	1	1	1	1	1	1	1	1	1
Connections R404A	Inlet	Ø (6)	1"1/8	1"3/8	1"3/8	1"3/8	1"5/8	1"5/8	1"5/8	2 x 1"3/8	2 x 1"3/8
	Outlet	Ø (7)	1"5/8	1"5/8	1"5/8	2"1/8	2"1/8	2"1/8	2"1/8	2"5/8	2"5/8
Net weight		kg	260	292	316	349	395	433	457	506	549

\* Ø 630 mm - 400 V/3/50 Hz. 4D : 1250 W max - 2,48 A max (5).

(1) See page 10.

(2) Residual air speed: 0.25 m/s, in compliance with standard.

(3) Average sound pressure level in dB(A) measured at 4 m, at fan height, in direct line of sight on a reflective surface, given for information only.

(4) Optional electric defrost kit.

(5) Setting of overload protection levels.

(6) Distributor: Male to be brazed.

(7) ODF = Female to receive a tube of the same diameter.

\* Glycol water - Capacity indicated for information only under the following conditions:

**Fluid:** Percentage of glycol = 30 %  
Fluid inlet temperature = - 8°C  
Fluid outlet temperature = - 4°C.

**Air:** Inlet dry temperature = + 2°C  
Relative humidity = 85 %  
Limitation of head loss at 10 m WC maximum.

**Other conditions:**

Possible optimization of exchanger circuiting according to the operating level.  
System head loss taken into account, percentage of glycol,... (please contact us for details).

**Connection kit available:**

- 1 kit for horizontal connection (please consult us).
- 4 connection kits (please consult us).
  - steel weld-on sleeve
  - steel screw-on sleeve
  - steel weld-on sleeve
  - steel screw-on sleeve

CMU	M60	BAE	BXT	WCO	E1U	ELU	HG1	EEK	ECK	ECU	EGK	ECB	EIS
0	0		0		0	0	0	0	0	0	0	0	0

## GTA ... R 6D - 890 rpm. / GTA ... R 6Y - 690 rpm.

4,23 mm

Direct expansion		GTA ... R ...	24	26	28	34	36	38	44	46	48	
Capacity R404A (1)	DT1 = 8 K - SC2	6D	kW	27,1	30,9	34,7	40,1	49,7	52,3	54,7	62,1	70,2
		6Y	kW	23,5	26,2	28,8	34,8	41,5	43,1	47,1	52,8	57,8
Surface		m <sup>2</sup>	130	195	260	195	292	390	260	390	520	
Circuit volume		dm <sup>3</sup>	25,2	37,8	50,4	37,8	56,7	75,7	50,4	75,7	100,9	
Air flow		6D	m <sup>3</sup> /h	17770	16780	15920	26650	25180	23880	35540	33570	31840
		6Y	m <sup>3</sup> /h	13700	12750	11930	20540	19130	17900	27390	25510	23860

Glycol water		GTA-W5 ... R ...	24	26	28	34	36	38	44	46	48	
Capacity W*	DT1 = 8 K	6D	kW	19,8	28,8	-	40,8	37,5	-	49,1	47,7	-
		6Y	kW	18,1	24,4	-	26	45,3	-	32,2	60,1	-
Surface		m <sup>2</sup>	164	246	-	246	369	-	328	492	-	
Circuit volume		dm <sup>3</sup>	32,1	48,2	-	48,2	72,2	-	64,2	96,3	-	
Air flow		6D	m <sup>3</sup> /h	17640	16640	-	26460	24960	-	35280	33280	-
		6Y	m <sup>3</sup> /h	13650	12710	-	20470	19070	-	27290	25430	-

		GTA (-W) ... R ...	24	26	28	34	36	38	44	46	48	
Fan *	Air throw (2)	6D	m	2x12	2x11	2x10	2x12	2x11	2x10	2x12	2x11	2x10
		6Y	m	2x10	2x9	2x8	2x10	2x9	2x8	2x10	2x9	2x8
	Ø 630 mm	Nb	2	2	2	3	3	3	4	4	4	
Acoustic	Lp 4m (3)	6D	dB(A)	48	48	48	50	50	50	51	51	51
		6Y	dB(A)	41	41	41	43	43	43	44	44	44
	Lw	6D	dB(A)	78	78	78	80	80	80	81	81	81
		6Y	dB(A)	71	71	71	73	73	73	74	74	74
Electric defrost E1U (4)	Ω	Nb	12	12	12	12	12	12	12	12	12	
	400 V/3/50 Hz	W Total	9000	9000	9000	13800	13800	13800	18000	18000	18000	
		A Total	13	13	13	20	20	20	26	26	26	
Electric defrost ELU+EEK (4)	Ω	Nb	12+6	12+6	12+6	12+6	12+6	12+6	12+6	12+6	12+6	
	400 V/3/50 Hz	W Total	13500	13500	13500	20700	20700	20700	27000	27000	27000	
		A Total	19,5	19,5	19,5	30	30	30	39	39	39	
ECK kit or EEK kit	Ω	Nb	6	6	6	6	6	6	6	6	6	
	400 V/3/50 Hz	W Total	4500	4500	4500	6900	6900	6900	9000	9000	9000	
		A Total	6,5	6,5	6,5	10	10	10	13	13	13	
	Nb max. kit	ECK	1	1	2	1	1	2	1	1	2	
	EEK	1	1	1	1	1	1	1	1	1		
Connections R404A	Inlet	Ø (6)	1"1/8	1"1/8	1"3/8	1"3/8	1"5/8	1"5/8	1"5/8	1"5/8	2 x 1"3/8	
	Outlet	Ø (7)	1"3/8	1"5/8	1"5/8	2"1/8	2"1/8	2"1/8	2"1/8	2"1/8	2"5/8	
Net weight		kg	260	292	316	349	395	433	457	506	549	

\* Ø 630 mm - 400 V/3/50 Hz. 6D : 600 W max - 1,20 A max (5) - 6Y : 400 W max - 0,68 A max (5).

(1) See page 10.

(2) Residual air speed: 0.25 m/s, in compliance with standard.

(3) Average sound pressure level in dB(A) measured at 4 m, at fan height, in direct line of sight on a reflective surface, given for information only.

(4) Optional electric defrost kit.

(5) Setting of overload protection levels.

(6) Distributor: Male to be brazed.

(7) ODF = Female to receive a tube of the same diameter.

\* Glycol water - Capacity indicated for information only under the following conditions:

**Fluid:** Percentage of glycol = 30 %  
Fluid inlet temperature = - 8°C  
Fluid outlet temperature = - 4°C.

**Air:** Inlet dry temperature = + 2°C  
Relative humidity = 85 %  
Limitation of head loss at 10 m WC maximum.

**Other conditions:**  
Possible optimization of exchanger circuiting according to the operating level.  
System head loss taken into account, percentage of glycol,... (please contact us for details).

**Connection kit available:**

- 1 kit for horizontal connection (please consult us).
- 4 connection kits (please consult us).
  - steel weld-on sleeve
  - steel screw-on sleeve
  - steel weld-on sleeve
  - steel screw-on sleeve

CMU	M60	BAE	BXT	WCO	E1U	ELU	HG1	EEK	ECK	ECU	EGK	ECB	EIS
0	0		0		0	0	0	0	0	0	0	0	0

## GTA ... L 4D - 1330 rpm.

6,35 mm

Direct expansion		GTA ... L 4D	24	26	28	34	36	38	44	46	48
Capacity R404A (1)	DT1 = 8 K - SC2	kW	25,1	33,1	36,8	37,2	49,2	55,5	50,4	66,5	73,9
Surface		m <sup>2</sup>	89	134	179	134	201	268	179	268	357
Circuit volume		dm <sup>3</sup>	25,2	37,8	50,4	37,8	56,7	75,7	50,4	75,7	100,9
Air flow		m <sup>3</sup> /h	23260	22410	21650	34890	33610	32480	46520	44810	43310

Glycol water		GTA-W5 ... L 4D	24	26	28	34	36	38	44	46	48
Capacity W*	DT1 = 8 K	kW	18,1	26	-	26,2	52,3	-	32,2	69,6	-
Surface		m <sup>2</sup>	112	168	-	168	252	-	224	336	-
Circuit volume		dm <sup>3</sup>	32,1	48,2	-	48,2	72,2	-	64,2	96,3	-
Air flow		m <sup>3</sup> /h	23100	22220	-	34660	33330	-	46210	44440	-

		GTA (-W) ... L 4D	24	26	28	34	36	38	44	46	48
Fan *	Air throw (2)	m	2x18	2x16	2x15	2x18	2x16	2x15	2x18	2x16	2x15
	Ø 630 mm	Nb	2	2	2	3	3	3	4	4	4
Acoustic	Lp 4m (3)	dB(A)	57	57	57	59	59	59	60	60	60
	Lw	dB(A)	87	87	87	89	89	89	90	90	90
Electric defrost E1U (4)	Ω	Nb	12	12	12	12	12	12	12	12	12
	400 V/3/50 Hz	W Total	9000	9000	9000	13800	13800	13800	18000	18000	18000
		A Total	13	13	13	20	20	20	26	26	26
Electric defrost ELU+EEK (4)	Ω	Nb	12+6	12+6	12+6	12+6	12+6	12+6	12+6	12+6	12+6
	400 V/3/50 Hz	W Total	13500	13500	13500	20700	20700	20700	27000	27000	27000
		A Total	19,5	19,5	19,5	30	30	30	39	39	39
ECK kit or EEK kit	Ω	Nb	6	6	6	6	6	6	6	6	6
	400 V/3/50 Hz	W Total	4500	4500	4500	6900	6900	6900	9000	9000	9000
		A Total	6,5	6,5	6,5	10	10	10	13	13	13
	Nb max. kit	ECK	1	1	2	1	1	2	1	1	2
EEK		1	1	1	1	1	1	1	1	1	
Connections R404A	Inlet	Ø (6)	1"1/8	1"3/8	1"3/8	1"3/8	1"5/8	1"5/8	1"5/8	2 x 1"3/8	2 x 1"3/8
	Outlet	Ø (7)	1"5/8	1"5/8	1"5/8	2"1/8	2"1/8	2"1/8	2"1/8	2"5/8	2"5/8
Net weight		kg	260	292	316	349	395	433	457	506	549

\* Ø 630 mm - 400 V/3/50 Hz. 4D : 1250 W max - 2,48 A max (5).

(1) See page 10.

(2) Residual air speed: 0.25 m/s, in compliance with standard.

(3) Average sound pressure level in dB(A) measured at 4 m, at fan height, in direct line of sight on a reflective surface, given for information only.

(4) Optional electric defrost kit.

(5) Setting of overload protection levels.

(6) Distributor: Male to be brazed.

(7) ODF = Female to receive a tube of the same diameter.

\* Glycol water - Capacity indicated for information only under the following conditions:

**Fluid:** Percentage of glycol = 30 %  
 Fluid inlet temperature = - 8°C  
 Fluid outlet temperature = - 4°C.

**Air:** Inlet dry temperature = + 2°C  
 Relative humidity = 85 %  
 Limitation of head loss at 10 m WC maximum.

**Other conditions:**

Possible optimization of exchanger circuiting according to the operating level.  
 System head loss taken into account, percentage of glycol,... (please contact us for details).

**Connection kit available:**

- 1 kit for horizontal connection (please consult us).
- 4 connection kits (please consult us).
  - steel weld-on sleeve
  - steel screw-on sleeve
  - steel weld-on sleeve
  - steel screw-on sleeve

CMU	M60	BAE	BXT	WCO	E1U	ELU	HG1	EEK	ECK	ECU	EGK	ECB	EIS
0	0		0		0	0	0	0	0	0	0	0	0



## GTA ... L 6D - 890 rpm. / GTA ... L 6Y - 690 rpm.

6,35 mm

Direct expansion		GTA ... L ...	24	26	28	34	36	38	44	46	48	
Capacity R404A (1)	DT1 = 8 K - SC2	6D	kW	22,3	27,3	31,8	33,2	41,1	47,9	44,8	55,0	64,1
		6Y	kW	19,5	23,6	26,9	29,1	35,6	40,3	39,2	47,6	54,0
Surface		m <sup>2</sup>	89	134	179	134	201	268	179	268	357	
Circuit volume		dm <sup>3</sup>	25,2	37,8	50,4	37,8	56,7	75,7	50,4	75,7	100,9	
Air flow		6D	m <sup>3</sup> /h	18300	17510	16780	27440	26270	25180	36590	35020	33570
		6Y	m <sup>3</sup> /h	14210	13450	12750	21320	20180	19130	28420	26900	25510

Glycol water		GTA-W5 ... L ...	24	26	28	34	36	38	44	46	48	
Capacity W*	DT1 = 8 K	6D	kW	16,7	23,6	-	34,9	42,8	-	30	56,8	-
		6Y	kW	15,3	21,2	-	28,8	30,9	-	40,3	39,4	-
Surface		m <sup>2</sup>	112	168	-	168	252	-	224	336	-	
Circuit volume		dm <sup>3</sup>	32,1	48,2	-	48,2	72,2	-	64,2	96,3	-	
Air flow		6D	m <sup>3</sup> /h	18210	17410	-	27320	26120	-	36430	34820	-
		6Y	m <sup>3</sup> /h	14180	13430	-	21280	20150	-	28370	26860	-

		GTA (-W) ... L ...	24	26	28	34	36	38	44	46	48	
Fan *	Air throw (2)	6D	m	2x13	2x12	2x11	2x13	2x12	2x11	2x13	2x12	2x11
		6Y	m	2x11	2x10	2x9	2x11	2x10	2x9	2x11	2x10	2x9
	Ø 630 mm	Nb		2	2	2	3	3	3	4	4	4
Acoustic	Lp 4m (3)	6D	dB(A)	48	48	48	50	50	50	51	51	51
		6Y	dB(A)	41	41	41	43	43	43	44	44	44
	Lw	6D	dB(A)	78	78	78	80	80	80	81	81	81
		6Y	dB(A)	71	71	71	73	73	73	74	74	74
Electric defrost E1U (4)	Ω	Nb		12	12	12	12	12	12	12	12	12
	400 V/3/50 Hz	W Total		9000	9000	9000	13800	13800	13800	18000	18000	18000
		A Total		13	13	13	20	20	20	26	26	26
Electric defrost ELU+EEK (4)	Ω	Nb		12+6	12+6	12+6	12+6	12+6	12+6	12+6	12+6	12+6
	400 V/3/50 Hz	W Total		13500	13500	13500	20700	20700	20700	27000	27000	27000
		A Total		19,5	19,5	19,5	30	30	30	39	39	39
ECK kit or EEK kit	Ω	Nb		6	6	6	6	6	6	6	6	6
	400 V/3/50 Hz	W Total		4500	4500	4500	6900	6900	6900	9000	9000	9000
		A Total		6,5	6,5	6,5	10	10	10	13	13	13
	Nb max. kit	ECK		1	1	2	1	1	2	1	1	2
EEK			1	1	1	1	1	1	1	1	1	
Connections R404A	Inlet	Ø (6)	1"1/8	1"1/8	1"3/8	1"3/8	1"3/8	1"5/8	1"5/8	1"5/8	2 x 1"3/8	
	Outlet	Ø (7)	1"3/8	1"3/8	1"3/8	1"5/8	1"5/8	2"1/8	2"1/8	2"1/8	2"5/8	
Net weight		kg	260	292	316	349	395	433	457	506	549	

\* Ø 630 mm - 400 V/3/50 Hz. 6D : 600 W max - 1,20 A max (5) - 6Y : 400 W max - 0,68 A max (5).

(1) See page 10.

(2) Residual air speed: 0.25 m/s, in compliance with standard.

(3) Average sound pressure level in dB(A) measured at 4 m, at fan height, in direct line of sight on a reflective surface, given for information only.

(4) Optional electric defrost kit.

(5) Setting of overload protection levels.

(6) Distributor: Male to be brazed.

(7) ODF = Female to receive a tube of the same diameter.

\* Glycol water - Capacity indicated for information only under the following conditions:

**Fluid:** Percentage of glycol = 30 %  
Fluid inlet temperature = - 8°C  
Fluid outlet temperature = - 4°C.

**Air:** Inlet dry temperature = + 2°C  
Relative humidity = 85 %  
Limitation of head loss at 10 m WC maximum.

**Other conditions:**

Possible optimization of exchanger circuiting according to the operating level.  
System head loss taken into account, percentage of glycol,... (please contact us for details).

**Connection kit available:**

- 1 kit for horizontal connection (please consult us).
- 4 connection kits (please consult us).
  - steel weld-on sleeve
  - steel screw-on sleeve
  - steel weld-on sleeve
  - steel screw-on sleeve

CMU	M60	BAE	BXT	WCO	E1U	ELU	HG1	EEK	ECK	ECU	EGK	ECB	EIS
0	0		0		0	0	0	0	0	0	0	0	0

